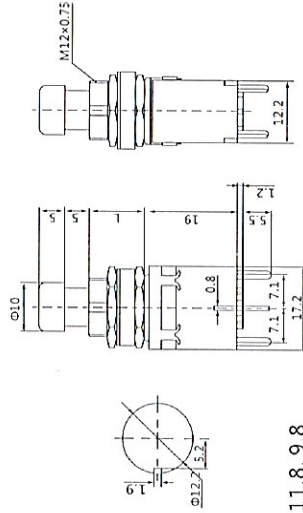


TH-FSDPDTPCB



L = 14.2, 11.8, 9.8