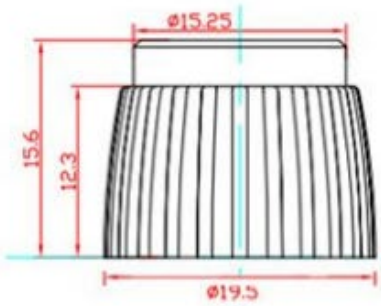
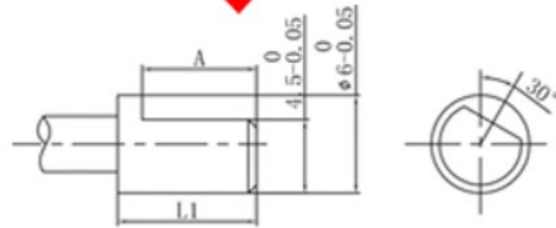
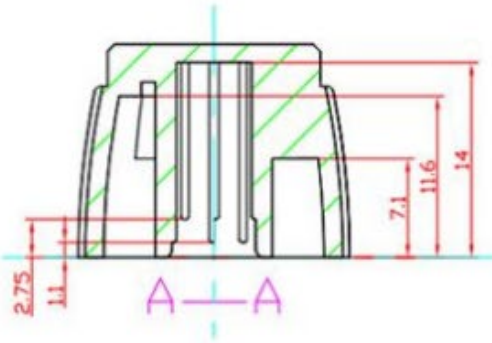


Shaft: D
Shaft



1081(20X16)



Dimension in mm