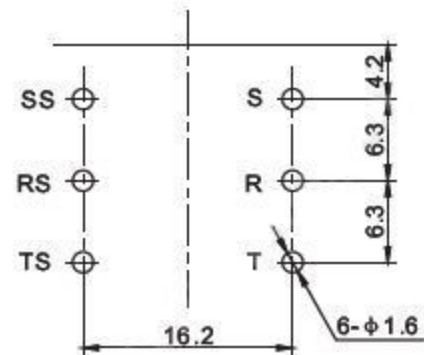
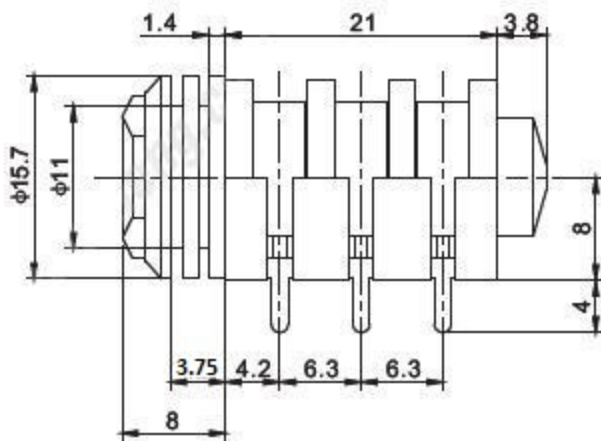
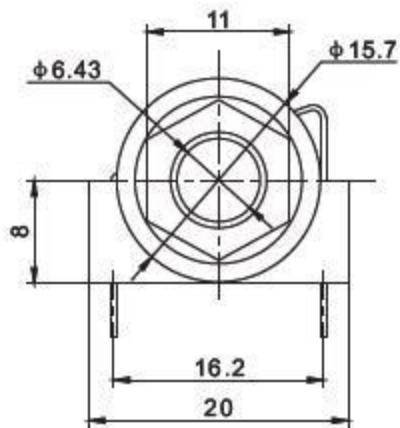


Contact Resistance	$\leq 0.03 \Omega$
Insulation Resistance	$\geq 100 M\Omega$
Withstand Voltage	500V, AC/min
Temperature Range	-25~70°C
Rated Load	DC 50V 0.5A
Insertion and Extaction Force	5-40N
Terminal Strength	$\geq 10N$
Life	5000 times



P.C.B LAYOUT
(VIEWED FROM COPPER SIDE)